

Typical Features

- ◆ Wide input voltage range 4 : 1
- ◆ Efficiency up to 90%
- ◆ Low no-load power consumption
- ◆ Operating temperature from -40°C to +105°C
- ◆ High isolation voltage 3000VAC (input-output) & 2100VAC (input-case)
- ◆ Input under voltage protection, output over voltage, short circuit, over current and over temp protections
- ◆ Standard 1/4 brick size

ZCD50-110S12A is a high-performance DC-DC converter specially designed for the railway field. Its rated input voltage 110VDC (full range from 43V to 160VDC), regulated single output 12V/50W without minimum load limit. It has the advantage of high isolation voltage, Max operating temperature up to 105°C, with input under-voltage protection, output over-current, over-voltage, over-temperature and short circuit protections, input ON/OFF control, output voltage distal end compensation and output voltage Trim, etc. It is compliant with the railway standard EN50155 and widely used in the railway systems related equipment.

Typical Product List

Part No.	Input voltage range (VDC)	Output power (W)	Output voltage (VDC)	Output current (A)	Ripple & Noise (mVp-p)	Full load efficiency (%) Min/Typ.	Remarks
ZCD50-110S12AC	43 - 160	50	12	4.15	120	88/90	Standard Positive logic
ZCD50-110S12AN							Standard Negative logic
ZCD50-110S12AC-H							Heatsink Positive logic
ZCD50-110S12AN-H							Heatsink Negative logic

Input Specifications

Item	Operating conditions	Min.	Typ.	Max.	Unit
Max input current	Input voltage 43V, full load	--	--	1.6	A
No load input current	Rated input voltage	--	--	10	mA
Input Inrush voltage (1sec. max.)	The unit could be permanently damaged by input over this Voltage	-0.7	--	185	VDC
Start-up voltage		--	--	43	
Under voltage protection	With No-load (the over current protection will work in advance at full load)	--	--	42	
ON/OFF Control (CNT)	Positive logic: CNT no connection or connected to 3.5-15V to turn ON, connected to 0-1.2V to turn OFF the converter				Reference voltage -Vin
	Negative logic: CNT no connection or connected to 3.5-15V to turn OFF, connected to 0-1.2V to turn ON the converter				

Output Specifications

Item	Operating conditions	Min.	Typ.	Max.	Unit
Output voltage accuracy	Nominal input voltage, 10% -100% load	--	±0.5	±1.0	%
Line regulation	Full load, input voltage from low to high	--	±0.1	±0.2	
Load regulation	Nominal input voltage, 10%-100% load	--	±0.2	±0.5	
Transient recovery time	25% load step change (step rate 1A/50uS)	--	200	250	uS
Transient response deviation		-5	--	+5	%
Temperature drift coefficient	Full load	-0.02	--	+0.02	%/°C
Ripple & Noise	20M bandwidth, test with external capacitor >220uF	--	80	120	mVp-p
Output voltage adjustment (TRIM)		-20	--	+10	%
Output voltage distal end compensation (Sense)		--	--	+5	%
Over temperature protection	Maximum temperature of the metal base	105	115	125	°C
Over voltage protection		125	--	140	%
Over current protection		4.5	--	8.7	A
Short circuit protection		Hiccup, continuous, self-recovery			

General Specifications

Item	Operating conditions		Min.	Typ.	Max.	Unit
Isolation voltage	I/P-O/P	Test 1min, leakage current <3mA	3000	--	--	VAC
	I/P-Case	Test 1min, leakage current <3mA	2100	--	--	VAC
	O/P-Case	Test 1min, leakage current <3mA	500	--	--	VAC
Insulation resistance	I/P-O/P	@ 500VDC	100	--	--	MΩ
Switching frequency			--	250	--	KHz
MTBF			500	--	--	K hours

Environmental characteristics

Item	Operating conditions	Min.	Typ.	Max.	Unit
Operating temperature	Refer to the temperature derating graph	-40	--	+105	°C
Storage humidity	No condensing	5	--	95	%RH
Storage temperature		-40	--	+125	°C
Pin soldering temperature	1.5mm from the case, soldering time <1.5S	--	--	+350	
Cooling requirement		EN60068-2-1			
Dry heat requirement		EN60068-2-2			
Damp heat requirement		EN60068-2-30			
Shock and vibration		IEC/EN 61373 C1/Body Mounted Class B			

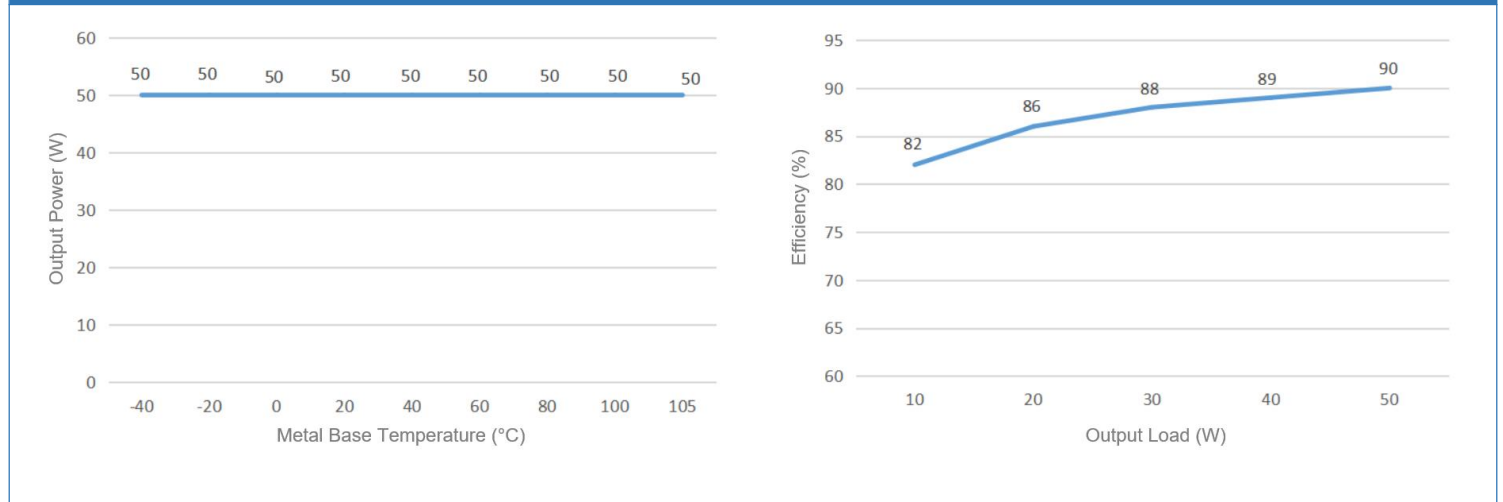
EMC Performances

EMI	CE	EN50121-3-2	150kHz-500kHz 79dBuV	
		EN55016-2-1	500kHz-30MHz 73dBuV	
	RE	EN50121-3-2	30MHz-230MHz 40dBuV/m at 10m	
		EN55016-2-1	230MHz-1GHz 47dBuV/m at 10m	
EMS	ESD	IEC/EN61000-4-2/GB/T 17626.2-2006	Contact ±6KV/Air ±8KV	perf. Criteria A
	RS	IEC/EN61000-4-3/GB/T 17626.3-2006	10V/m	perf. Criteria A
	EFT	IEC/EN61000-4-4/GB/T 17626.4-2008	±2kV 5/50ns 5kHz	perf. Criteria A
	Surge	IEC/EN61000-4-5/GB/T 17626.5-2008	Line to line ± 1KV (42Ω, 0.5μF)	perf. Criteria A
	CS	IEC/EN61000-4-6/GB/T 17626.6-2008	0.15MHz-80MHz 10 Vr.m.s	perf. Criteria A

Physical Characteristics

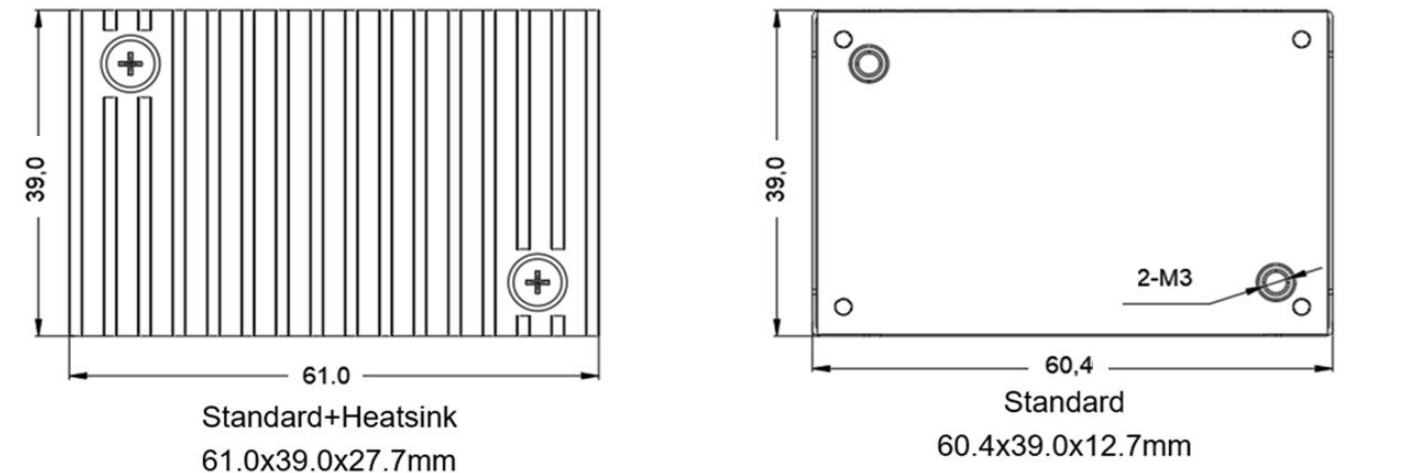
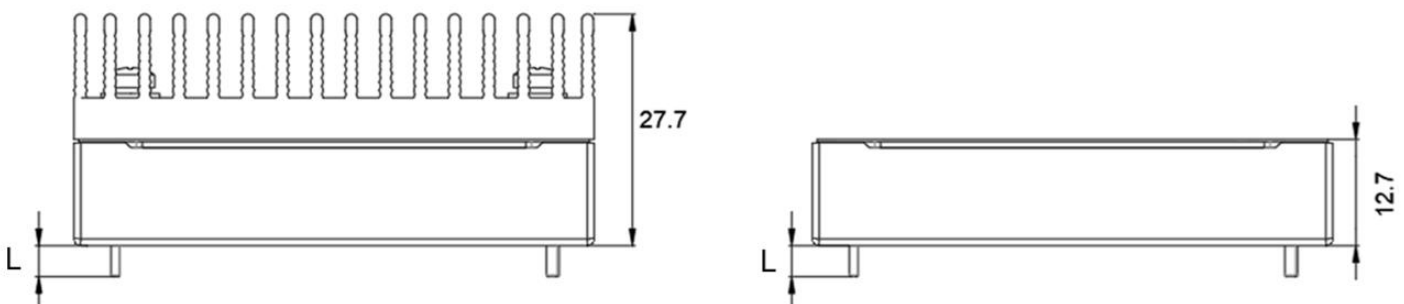
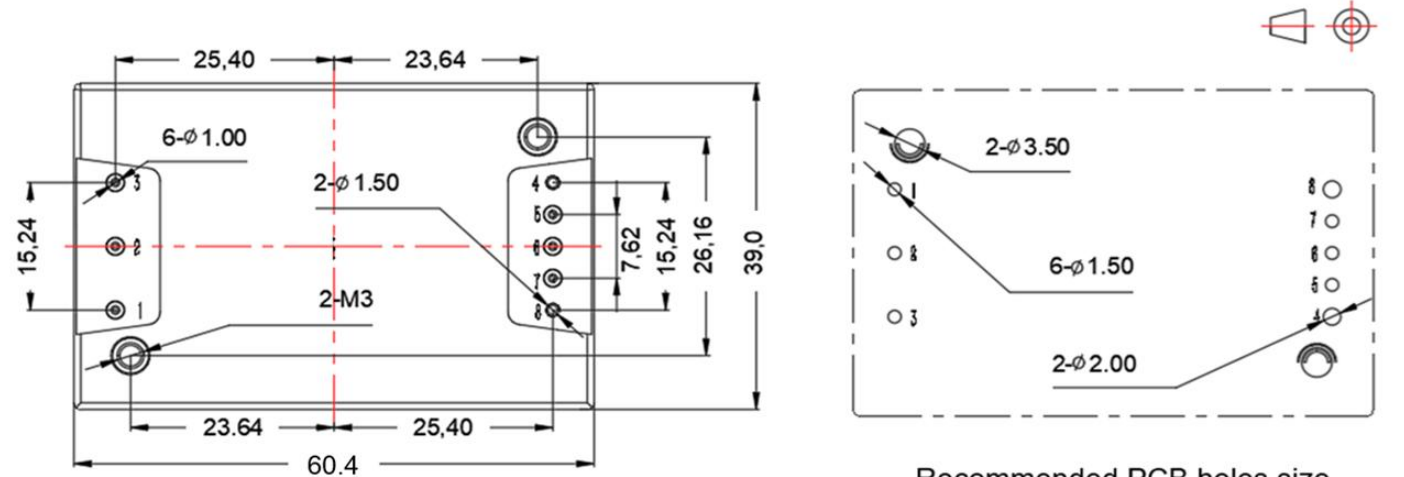
Case materials	Metal base + plastic case in black, flame class UL94-V0
Heat sink	Dimension 61.0x39.0x15.0 mm, weight 52g, aluminum, anodized black
Cooling method	Conduction cooling or forced air cooling with fan
Unit weight	Standard 72g, with heatsink 125g

Product Characteristics Graphs

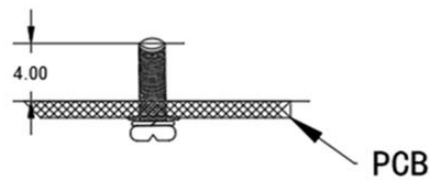


Note:
 1. The output power and the efficiency in the graphs are tested with typical values.
 2. The data in temperature derating graph is tested at Aipu laboratory test conditions. It is recommended to keep the temperature of the Metal base not more than 100 °C when the converter operates at the rated load for the application.

Mechanical Dimensions and Pin-Out Function Description



Note:
Unit: mm
Pin 1,2,3,5,6,7 diameter: 1.00
Pin 4,8 diameter: 1.50
Tolerance: X.X ±0.50mm, X.XX ±0.10mm
Screwing torque: 0.4N.m Max



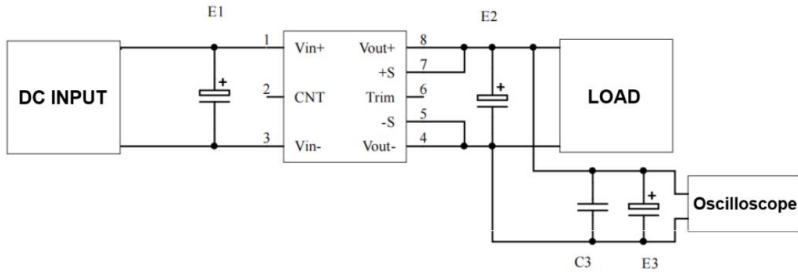
Pin length L=3.7mm

Pin No.	1	2	3	4	5	6	7	8
Function	Vin+	CNT	Vin-	Vout-	-Sense	TRIM	+Sense	Vout+
Description	Input V+	ON/OFF Control	Input V-	Output V-	Output distal end compensation S-	Output Voltage Trim	Output distal end compensation S+	Output V+

Recommended Circuits for Application

1. Ripple and Noise

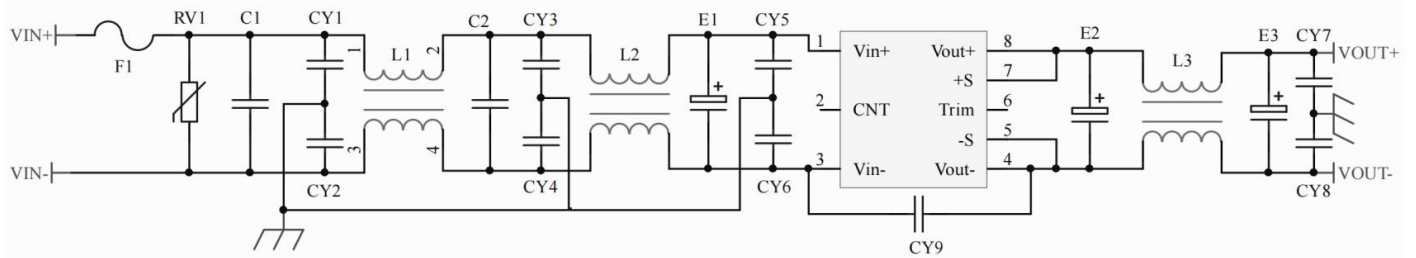
All this series of converters will be tested according to the circuit diagram below before shipping.



Capacitance Output Volt.	E1 (μF)	E2 (μF)	C3 (μF)	E3 (μF)
3.3VDC	100	1000	1	10
5VDC		680		
12VDC		470		
.....				
48VDC				
.....				
110VDC	68	68		

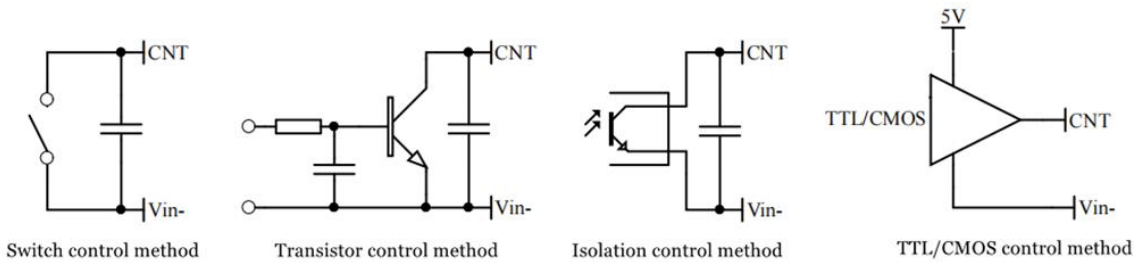
2. Typical application circuit

If this circuit recommended below is not adopted, please connect an electrolytic capacitor $\geq 100 \mu\text{F}$ at the input to suppress the possible surge voltage.



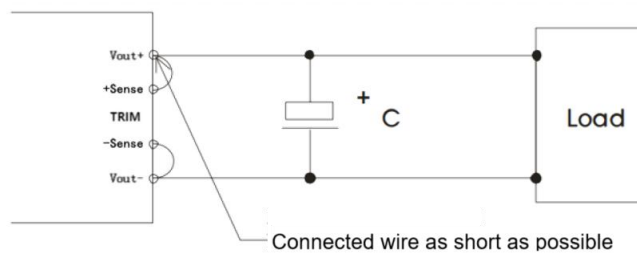
F1	T3.15A/250V Time-delay fuse
RV1	10D 200V Varistor
C1, C2	105/250V Polyester Film Capacitor
CY1, CY2, CY3, CY4, CY5, CY6	102/250Vac Y2 capacitor
CY7, CY8	103/2KV Ceramic Capacitor
CY9	471/250Vac Y1 capacitor
E1	100μF/200V Electrolytic Capacitor
E2, E3	470μF/16V Low ESR Capacitor
L1, L2	>4mH, temperature rise less than 25°@1.6A
L3	>100uH, temperature rise less than 25°@4.2A

3. ON/OFF control (CNT) application



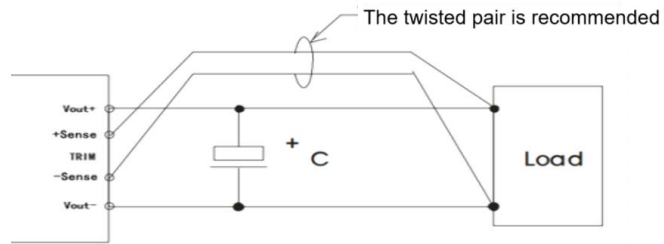
4. Application for Sense

1) With NO distal end compensation



- Notes:
1. Vout+ & Sense+, Vout- & Sense- should be shorted when distal compensation is not needed
 2. The lead wire between Vout+ and Sense+, Vout- and Sense- should be as short as possible, and close to the pins, or else the output may be unstable.

2) With distal end compensation



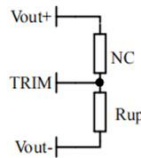
- Notes:
1. The output voltage may be unstable if the compensation cables are too long.
 2. The Twisted pair or shielded cables are recommended, the cable length should be as short as possible.
 3. Wide copper path on PCB or thick lead wires between the power supply and the load should be used to achieve the line voltage drop <0.3V. The target is to keep output voltage within the specified range.
 4. The leads wire resistance may create the output voltage oscillation or larger ripples. Please verify it before to use.

5. TRIM & TRIM resistance calculation

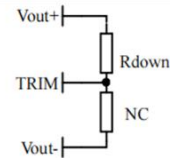
The calculation of ΔU and R_{up} & R_{down} :

$$R_{up} = 31 / \Delta U - 5.1 (K\Omega)$$

$$R_{down} = 12.4 * (9.5 - \Delta U) / \Delta U - 5.1 (K\Omega)$$



Voltage-up: Add R_{up} between Trim and Vout-



Voltage-down: Add R_{down} between Trim and Vout+

6. This converter is not available to be connected in parallel to increase the output power. Please contact Aipu technician for this kind of requirement.

Others

1. The product warranty period is two years. The failed product can be repaired/replaced free of charge if it operates at normal condition. A paid service shall be also provided if the product fails after operating under wrong or unreasonable conditions.
2. Aipupower can provide customization design and filter modules for matching, please contact our technician for details.

Guangzhou Aipu Electron Technology Co., Ltd

Address: Building 4, HEDY Park, No.63, Punan Road, Huangpu Dist, Guangzhou, China.

Tel: 86-20-84206763 Fax: 86-20-84206762 HOTLINE: 400-889-8821

E-mail: sales@aipu-elec.com Website: www.aipupower.com